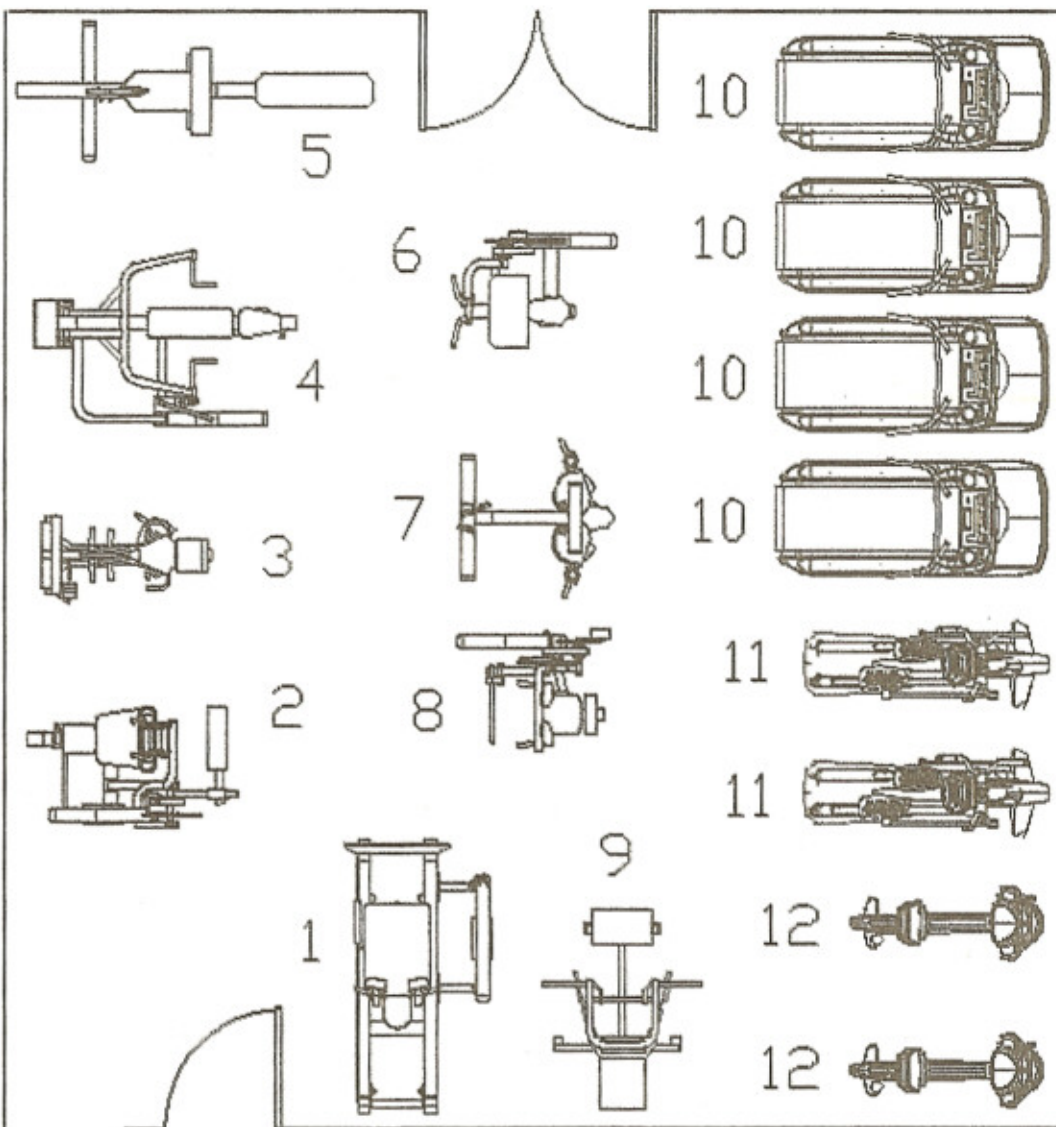


Selectorized Duals

1. Leg Press/Calf Raise
2. Leg Extension/Seated Leg Curl (Existing)
3. Hip Abductor/Adductor
4. Multi Press (Chest, Incline Shoulder)
5. Lat Pulldown/Row
6. Bicep/Tricep
7. Pec Fly/Rear-Delt
8. Abdominal Crunch/Back Extension
9. Weight Assisted/Chip Dip

Cardiovascular Equipment

10. Matrix T5x Treadmill
11. Matrix I5x Elliptical Crosstrainer
12. Matrix H5x Hybrid Cycle



— Russ Hildebrand —
ARCHITECT

Contact: Russ Hildebrand
 Phone: 724-841-5915

Scale: Custom

Freedom High School



EST 1983
 19209 Orbit Drive
 Gaithersburg, MD 20879
 p:301-921-0661 f:301-330-5479
 sales@heartlinefitness.com

Estimate

Date 2/10/2009
 Estimate # 432
 Expires 4/1/2009
 Contact Name
 Phone Number (724) 775-7400
 Custom Email Ad
 Submitted By:

Bill To

Steve Campos, Athletic Director
 Freedom High School
 1190 Bulldog Drive
 Freedom PA 15042
 United States

Ship To

FREEDOM AREA HIGH SCHOOL
 1190 Bulldog Drive
 Freedom PA 15042-1999

Item	Quantity	Description	Options	Rate	Tax	Amount
Cardiovascular Equipment						
408Mssc	4	Matrix I5x Incline Trainer (Refurbished)		2,600.00		10,400.00
402Mssc	2	Matrix T5x Treadmill AC 110V (Refurbished)		3,000.00		6,000.00
433Mssc	2	Matrix H5x Hybrid Cycle (Refurbished)		1,550.00		3,100.00
Selectorized Stations						
Upper Body:						
372PFS	1	Paramount Pec Fly/Rear Delt FS-55 (250 Weight Stack)		1,595.00		1,595.00
374PFS	1	Paramount Multi-Press Supine-Incline-Shoulder Press Combo FS-54 250 lb weight stack		1,695.00		1,695.00
377PFS	1	Paramount Lat/Row Combo FL-33 250 lb weight stack		1,250.00		1,250.00
383ssc	1	Weight Assisted Chin/Dip		1,525.00		1,525.00
386PFS	1	Paramount Biceps/Triceps Combo FS-35 (250 Weight stack)		1,250.00		1,250.00
Lower Body:						
394PFS	1	Paramount Inner/Outer Thigh Combo FL-52		1,250.00		1,250.00
396PFS	1	Paramount Leg/Calf Press FS-51 250 lb weight stack		1,750.00		1,750.00
Torso:						
371PFS	1	Paramount Low Back/Abdominal - FS-57		1,550.00		1,550.00
FRAME: White UPHOLSTERY: American Beauty Red						

Subtotal 31,365.00
Shipping Cost (Freight, Delivery, Install) 2,635.00
Total \$34,000.00

Standard Terms and Conditions:

All unit prices are F.O.B. manufacturer.
 These prices are subject to change after 30 days from document date.
 There will be a 1.5% monthly service charge on all overdue accounts.
 The above quotation is computed to be performed during regular business hours.
 Clerical errors subject to correction.
 All prices and agreements are contingent upon strikes, accidents, and other causes unavoidable or beyond our control.
 Buyer agrees to promptly file claim for all goods damaged in transit.
 There will be a 20% restocking charge on all merchandise ordered but not accepted.
 A preventative Maintenance Agreement is available for all equipment.
 Equipment lease is available with approved credit.